

# SUMMERAMA 2010, 25<sup>th</sup> Anniversary

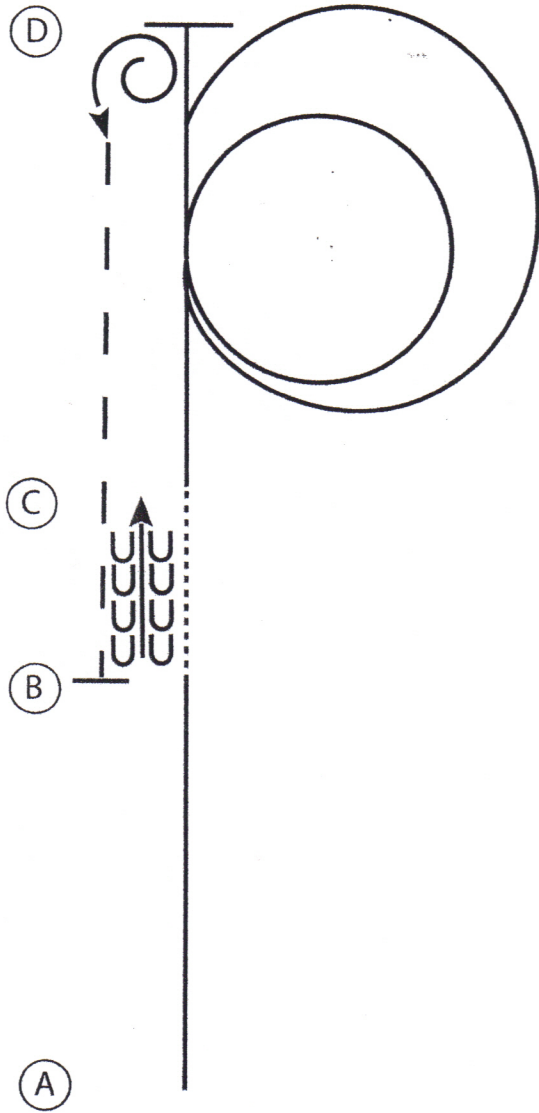
## Western Horsemanship

Friday, July 2, 2010

**AMATEUR  
SELECT AM.  
14-18 YOUTH**

www.HorseShowPatterns.com

www.HorseShowPatterns.com



1. Lope A to B on the left lead
2. Walk B to C
3. At C lope on the right lead towards D
4. Before D lope a large fast circle to the right followed by a small slow circle to the right and continue to D
5. At D stop and perform a 540 degree turn to the left
6. Extend the jog to B
7. At B stop and back to C

- Walk ..... (dotted line)
- Jog - - - - - (dashed line)
- Extended Jog - - - - - (long dashed line)
- Lope ———— (solid line)
- Leg Yield ||||| (vertical lines)
- Lead Change (diagonal lines)
- Back (row of 'C' shapes)
- Marker (B) (circle with 'B')
- Sidepass (dashed line with arrow)

[WH/3-10]

**Pattern Provided by:**

**Judges: DEBBIE CUVELIER,  
CLAY MACLEOD, Ca**